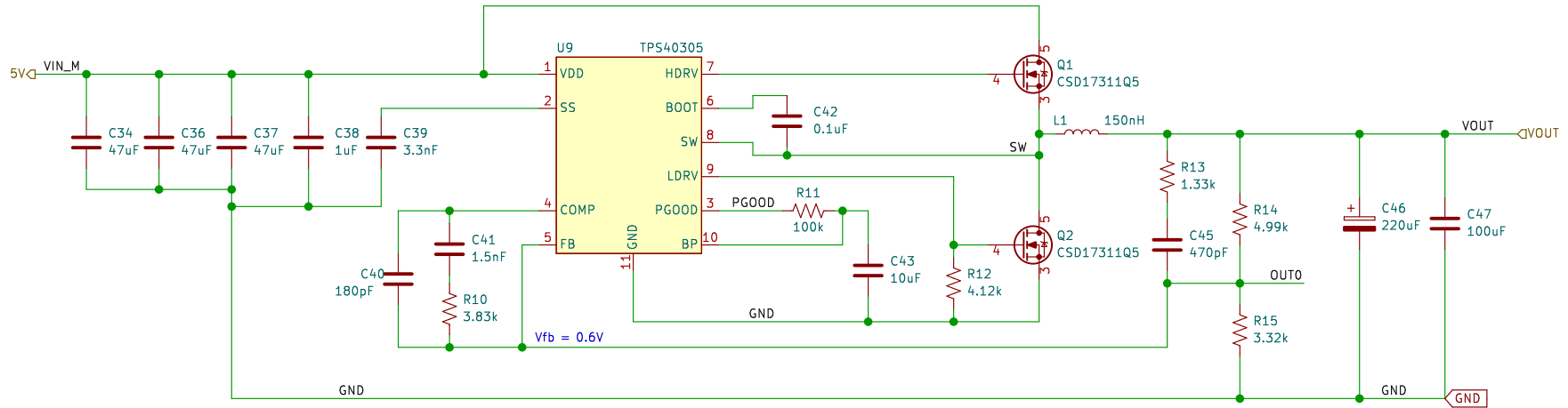


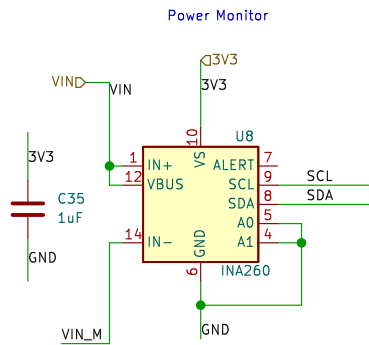
- H1 AlignmentHole
- H2 AlignmentHole
- H3 AlignmentHole
- H4 AlignmentHole
- H5 MountingHole
- H6 MountingHole

# bitaxe, yo

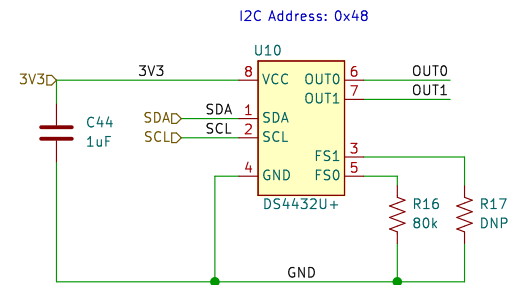
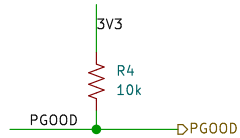
Sheet:	
File: bitaxeMax.kicad_sch	
<b>Title: le bitaxeMax</b>	
Size: A	Date: 2022-11-08
KiCad E.D.A. kicad (7.0.0-0)	Rev: 2
	Id: 1/5



This jumper will let you bypass the power meter



I2C Address: 0x40  
 The INA260 is currently out of stock everywhere. This part is totally optional, feel free to leave it out if you can't source it. If you DNP it, close J7



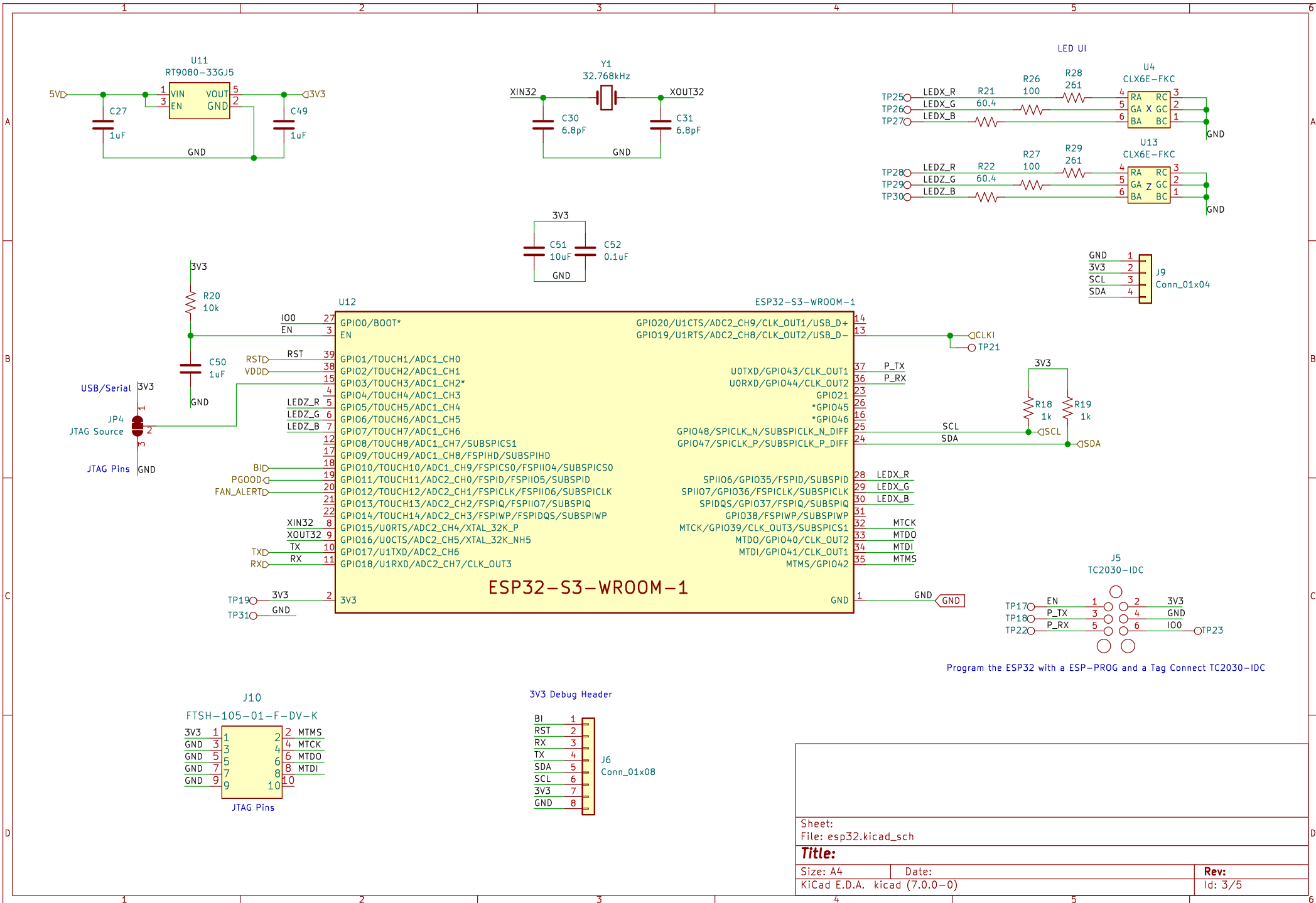
Sheet:  
 File: power.kicad\_sch

**Title:**

Size: A4  
 KiCad E.D.A. kicad (7.0.0-0)

Date:

Rev:  
 Id: 2/5

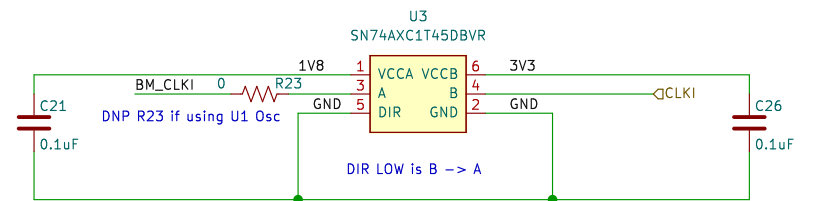
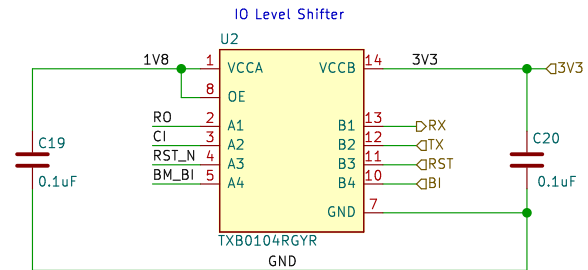
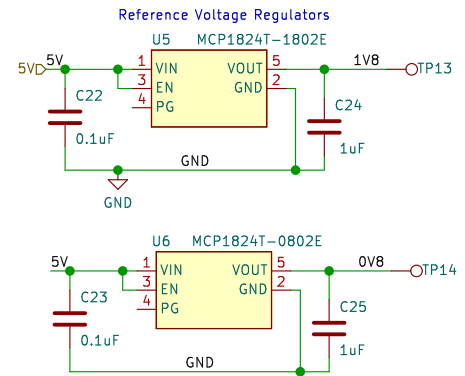
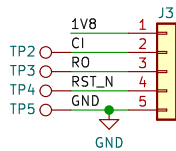
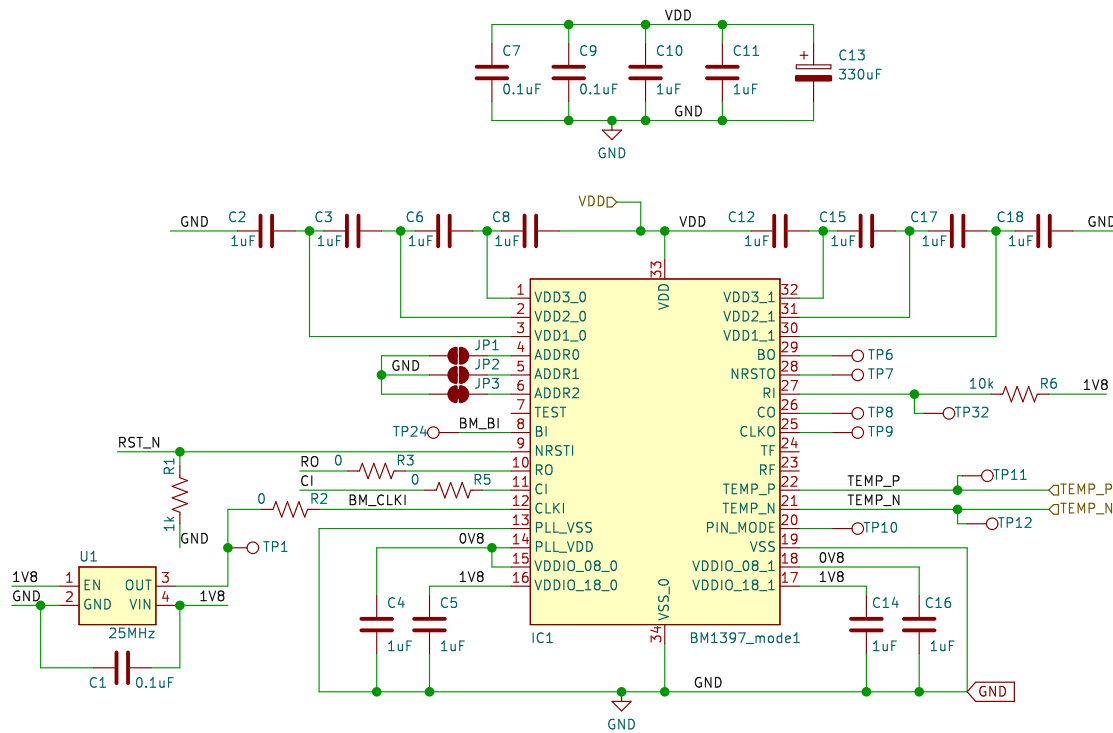


### ESP32-S3-WROOM-1

100	27	GPIO0/B00T*	14	GPIO20/U1CTS/ADC2_CH9/CLK_OUT1/USB_D+
EN	3	EN	13	GPIO19/U1RTS/ADC2_CH8/CLK_OUT2/USB_D-
RST	39	GPIO1/TOUCH1/ADC1_CH0	37	P_TX
VDD	38	GPIO2/TOUCH2/ADC1_CH1	36	P_RX
4	15	GPIO3/TOUCH3/ADC1_CH2*	23	GPIO21
LEDZ_R	5	GPIO4/TOUCH4/ADC1_CH3	26	*GPIO45
LEDZ_G	6	GPIO5/TOUCH5/ADC1_CH4	16	*GPIO46
LEDZ_B	7	GPIO6/TOUCH6/ADC1_CH5	25	GPIO48/SPICLK_N/SUBSPICLK_N_DIFF
12	17	GPIO7/TOUCH7/ADC1_CH6	24	GPIO47/SPICLK_P/SUBSPICLK_P_DIFF
18	19	GPIO8/TOUCH8/ADC1_CH7/SUBSPIC51	28	LEDX_R
BID	19	GPIO9/TOUCH9/ADC1_CH8/FSPiHD/SUBSPiHD	29	LEDX_G
PGOOD	20	GPIO10/TOUCH10/ADC1_CH9/FSPiC50/FSPiO4/SUBSPiC50	30	LEDX_B
FAN_ALERT	21	GPIO11/TOUCH11/ADC2_CH0/FSPiD/FSPiO5/SUBSPiD	31	SPII06/GPIO35/FSPiD/SUBSPiD
22	22	GPIO12/TOUCH12/ADC2_CH1/FSPiCLK/FSPiO6/SUBSPiCLK	32	SPII07/GPIO36/FSPiCLK/SUBSPiCLK
XIN32	8	GPIO13/TOUCH13/ADC2_CH2/FSPiQ/FSPiO7/SUBSPiQ	33	SPIDQ5/GPIO37/FSPiQ/SUBSPiQ
XOUT32	9	GPIO14/TOUCH14/ADC2_CH3/FSPiWP/FSPiDQ5/SUBSPiWP	34	GPIO38/FSPiWP/SUBSPiWP
TXD	10	GPIO15/U0RTS/ADC2_CH4/XTAL_32K_P	35	MTCK
RXD	11	GPIO16/U0CTS/ADC2_CH5/XTAL_32K_NHS	35	MTDO
2	2	GPIO17/U1TXD/ADC2_CH6	34	MTDI
3V3	2	GPIO18/U1RXD/ADC2_CH7/CLK_OUT3	35	MTMS
3V3	3V3			

Sheet:	
File: esp32.kicad_sch	
<b>Title:</b>	
Size: A4	Date:
KiCad E.D.A. kicad (7.0.0-0)	Rev: Id: 3/5

Program the ESP32 with a ESP-PROG and a Tag Connect TC2030-IDC



Sheet:  
File: bm1397.kicad\_sch

**Title:**

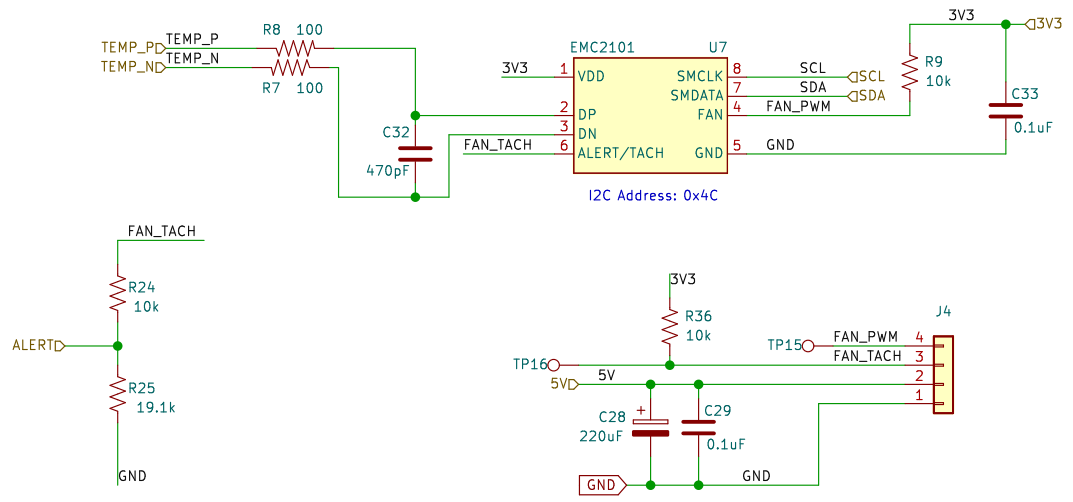
Size: A4

Date:

KiCad E.D.A. kicad (7.0.0-0)

**Rev:**

Id: 4/5



Sheet:		
File: fan.kicad_sch		
<b>Title:</b>		
Size: A4	Date:	Rev:
KiCad E.D.A. kicad (7.0.0-0)		Id: 5/5